

# Climate control

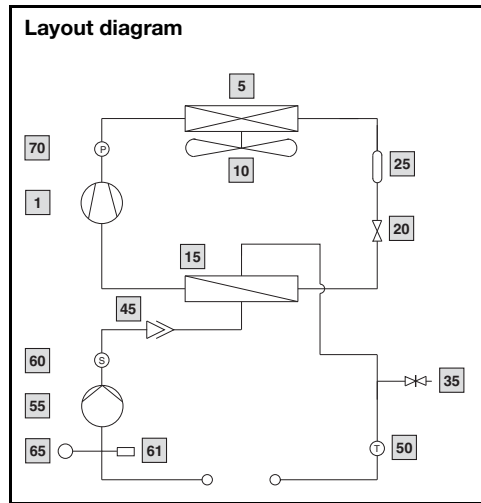
## Cooling with water

### TopTherm chiller

SK 3318.XXX, SK 3319.XXX

#### Key to the adjacent drawing:

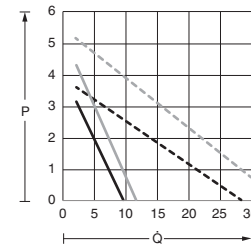
- 1 Compressor
- 5 Condenser
- 10 Condenser fan
- 15 Evaporator coil
- 20 Expansion valve
- 25 Filter dryer
- 35 Filler
- 45 Vent valve
- 50 Temperature sensor
- 55 Pump
- 60 Flow monitor
- 61 Overpressure valve
- 65 Pressure relief valve/ alternatively tank
- 70 High-pressure switch



**Note:**  
With an externally lockable cooling cycle, a bypass (overpressure valve) should be provided in the external water pipes.

#### Characteristic curves of pump

Model No.  
SK 3318.600/SK 3318.610/  
SK 3319.600/SK 3319.610



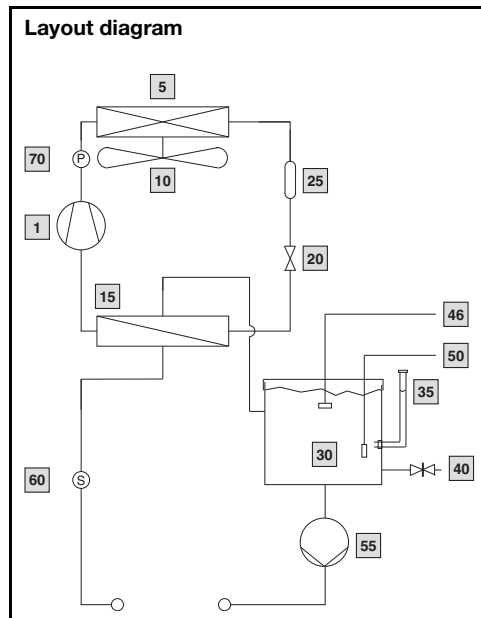
**Standard pump**  
P = External static pressure [bar] — = 50 Hz  
Q = Delivery flow Q [l/min] — = 60 Hz

**Reinforced pump (optional)**  
P = External static pressure [bar] - - - = 50 Hz  
Q = Delivery flow Q [l/min] - - - = 60 Hz

### SK 3320.600, SK 3334.XXX

#### Key to the adjacent drawing:

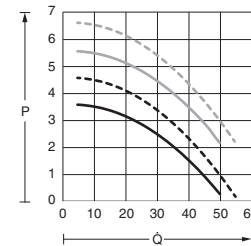
- 1 Compressor
- 5 Condenser
- 10 Condenser fan
- 15 Evaporator coil
- 20 Expansion valve
- 25 Filter dryer
- 30 Tank
- 35 Filler
- 40 Tank drain
- 46 Water level switch, optional
- 50 Temperature sensor
- 55 Pump
- 60 Flow monitor
- 70 High-pressure switch



**Note:**  
With an externally lockable cooling cycle, a bypass (overpressure valve) should be provided in the external water pipes.

#### Characteristic curves of pump

Model No.  
SK 3320.600/SK 3334.600/SK 3334.660



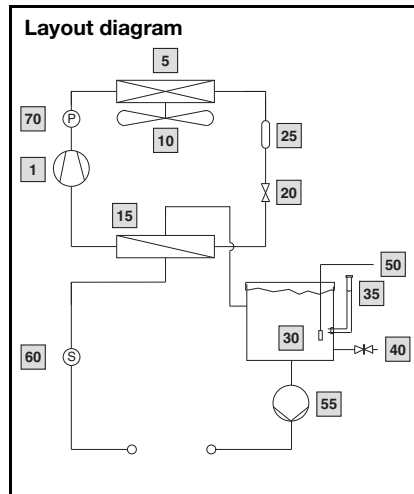
**Standard pump**  
P = External static pressure [bar] — = 50 Hz  
Q = Delivery flow Q [l/min] — = 60 Hz

**Reinforced pump (optional)**  
P = External static pressure [bar] - - - = 50 Hz  
Q = Delivery flow Q [l/min] - - - = 60 Hz

### TopTherm chiller Wall-mounted, SK 3360.XXX

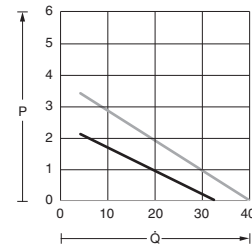
#### Key to the adjacent drawing:

- 1 Compressor
- 5 Condenser
- 10 Condenser fan
- 15 Evaporator coil
- 20 Expansion valve
- 25 Filter dryer
- 30 Tank
- 35 Filler
- 40 Tank drain
- 50 Temperature sensor
- 55 Pump
- 60 Flow monitor
- 70 High-pressure switch



#### Characteristic curves of pump

Model No.  
SK 3360.100/SK 3360.250



**Standard pump**  
P = External static pressure [bar] — = 50 Hz  
Q = Delivery flow Q [l/min] - - = 60 Hz

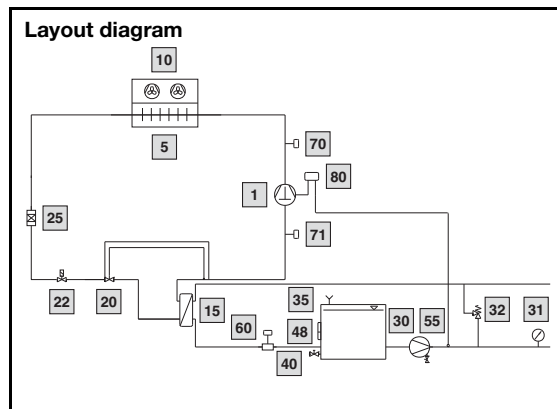
#### Note:

With an externally lockable cooling cycle, a bypass (overpressure valve) should be provided in the external water pipes.

### SK 3335.XXX

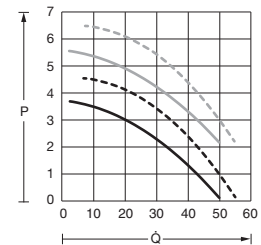
#### Key to the adjacent drawing:

- 1 Compressor
- 5 Condenser
- 10 Condenser fan
- 15 Evaporator coil
- 20 Expansion valve
- 22 Magnetic valve
- 25 Filter dryer
- 30 Tank
- 31 Manometer
- 32 Automatic bypass valve (optional)
- 35 Filler
- 40 Tank drain
- 48 Level indicator
- 55 Pump
- 60 Flow monitor (optional)
- 70 High-pressure switch
- 71 Low-pressure switch
- 80 Thermostat

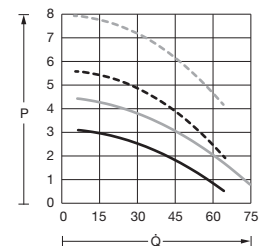


#### Characteristic curves of pump

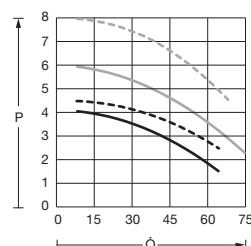
Model No.  
SK 3335.790/SK 3335.830



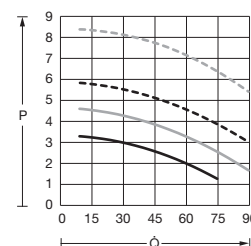
Model No.  
SK 3335.840



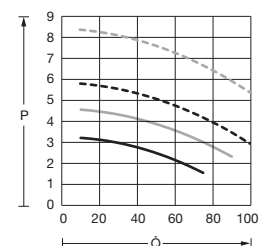
Model No.  
SK 3335.850



Model No.  
SK 3335.860



Model No.  
SK 3335.870



**Standard pump**  
P = External static pressure [bar] — = 50 Hz  
Q = Delivery flow Q [l/min] - - = 60 Hz

**Reinforced pump (optional)**  
P = External static pressure [bar] - - - = 50 Hz  
Q = Delivery flow Q [l/min] - - - = 60 Hz

# Climate control

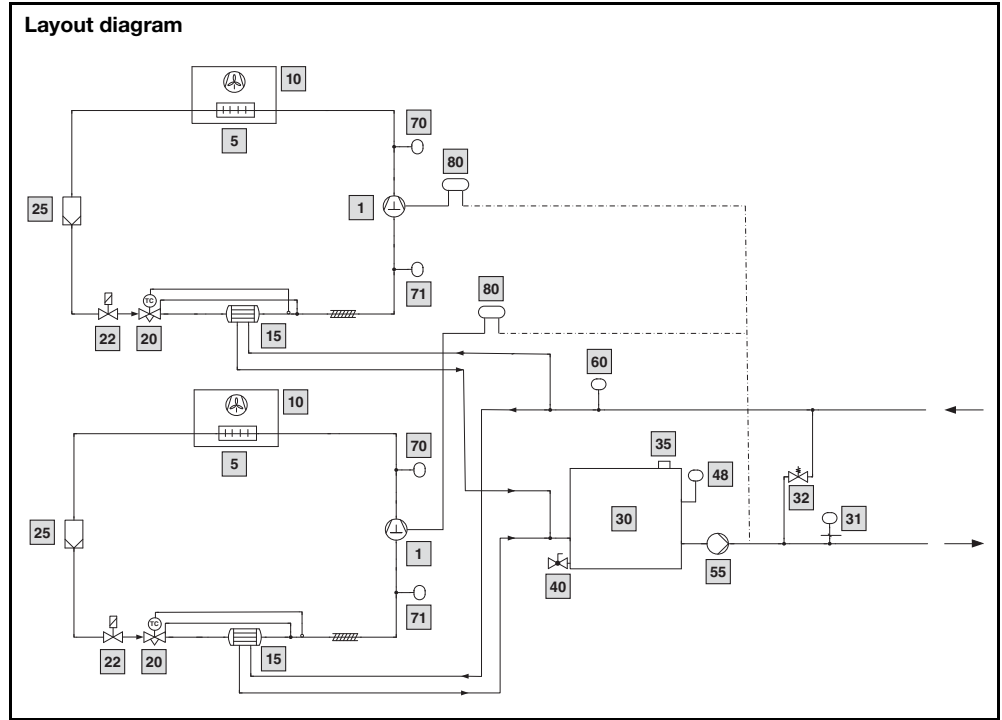
## Cooling with water

### TopTherm chillers

SK 3335.880, SK 3335.890

#### Key to the adjacent drawing:

- 1 Compressor
- 5 Condenser
- 10 Condenser fan
- 15 Evaporator coil
- 20 Expansion valve
- 22 Magnetic valve
- 25 Filter dryer
- 30 Tank
- 31 Manometer
- 32 Automatic bypass valve (optional)
- 35 Filler
- 40 Tank drain
- 48 Level indicator
- 55 Pump
- 60 Flow monitor (optional)
- 70 High-pressure switch
- 71 Low-pressure switch
- 80 Thermostat



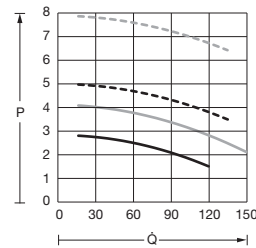
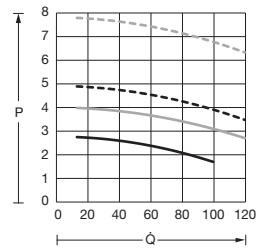
#### Characteristic curves of pump

Model No.  
SK 3335.880

Model No.  
SK 3335.890

**Standard pump**  
P = External static pressure [bar]  
Q = Delivery flow Q [l/min]

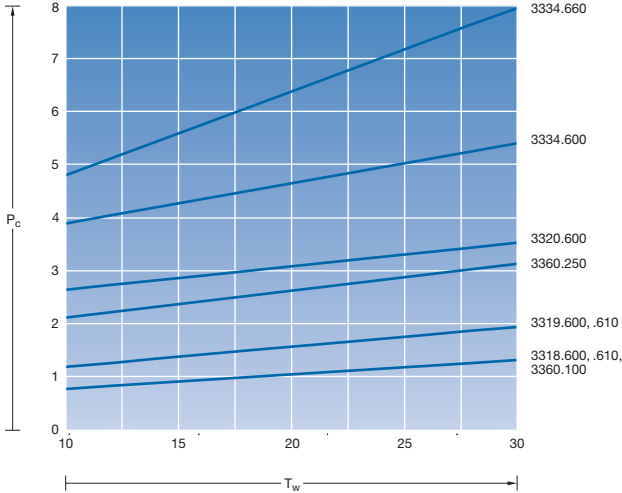
**Reinforced pump (optional)**  
P = External static pressure [bar]  
Q = Delivery flow Q [l/min]



### TopTherm chillers, performance diagrams

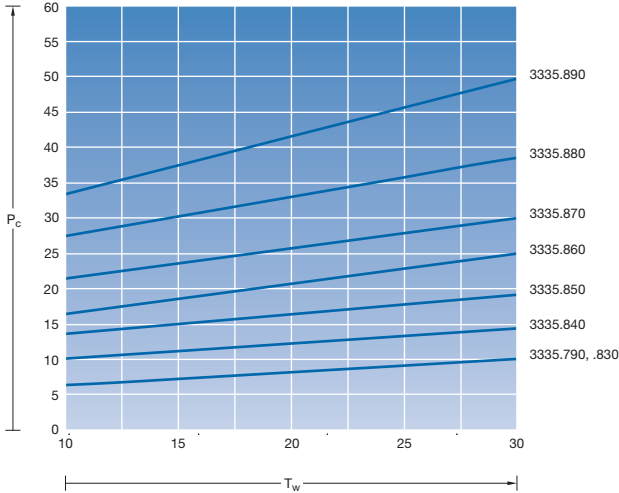
SK 3318.XXX, SK 3319.XXX, SK 3320.600, SK 3334.XXX, SK 3335.XXX, SK 3360.XXX, SK 3335.880, SK 3335.890

Output class 1 – 6 kW, 50 Hz at  $T_u = 32\text{ °C}$



$T_w$  = Water inlet temperature (°C)  
 $T_u$  = Ambient temperature (°C)  
 $P_c$  = Total cooling output (kW)

Output class 8 – 40 kW, 50 Hz at  $T_u = 32\text{ °C}$



$T_w$  = Water inlet temperature (°C)  
 $T_u$  = Ambient temperature (°C)  
 $P_c$  = Total cooling output (kW)