



Copper Cable Management Solutions

Termination Block Mounting Hardware

Introduction

Mounting hardware is available for either wall or rack mount applications. Included is a full range of mounting system hardware and backboards, cable management hardware, mounting frames and support bars, as well as comprehensive fiber optic cable raceway systems for overhead and Plenum applications.

To better understand how the hardware can be utilized, the reference guide on this page gives appropriate use information. The icons shown within the reference chart represent the following equipment:



= Universal Mounting System (UMS)



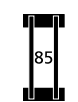
= Type 105 Rod Mount Bracket



= Type 89D Mounting Bracket



= Type 85 Back Mount Frame



= Type 85 Rod Mount Bracket



= Type 105 Back Mount Frame

Features

- Various options provide flexibility
- Fit standard 19-, 23- and 35.5-inch equipment racks
- Mounting hardware and backboards available for either wall or rack mounting
- Wire management built-in, or available as accessories
- Most ADC blocks have a minimum of two mounting options

Block/Patch Panel						
Ultim8™ Block	•			•		•
HighBand® 10-Pair Block	•			•		•
Feed-Thru (FT) Block	•					
Series 2 Block, 8-Pair			•		•	
Series 2 Block, 10-Pair	•			•		•
25/50-Pair Block		•				
UMS/Mini Patch Panel, Type 105	•			•		•
UMS/Mini Patch Panel, Type 160	•					



Copper Cable Management Solutions

Termination Block Mounting Hardware

Universal Mounting System (UMS)

The Universal Mounting System accepts Ultim8™, HighBand® 10, 10-pair Series 2, and 25-pair FT (Feed-Thru) blocks and UMS/Mini patch panels. It is a rugged, low cost, versatile alternative to traditional mounting systems. Besides providing a sturdy, easy-to-install interlinking foundation, the UMS features built-in wire and cable management, and convenient add-ons.

The mounting brackets interlink left-to-right and top-to-bottom to provide a foundation that is easy to install and easy to expand. The brackets are suitable for both rack and wall mount installations.

For fast installation, use the push rivets provided with the UMS backboard to attach the UMS brackets to the backboards.

TrueNet® Structured Cabling

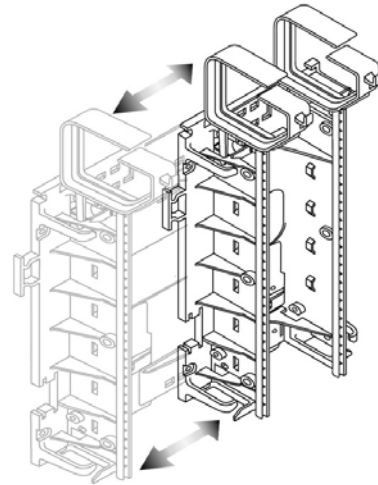
3/06 • 102094AE



UMS In Type 105 position



UMS In Type 160 position



The UMS easily expands from the Type 105 position to the Type 160 position.

Ordering Information

Description	Dimensions (HxWxD)	Catalog Number
UMS Basic Kit Includes one pair of adjustable universal mounting brackets (holds up to 13 Ultim8 blocks and/or label holders), two horizontal wire managers, and appropriate screws and rivets. Typical installation holds 96 pairs using (12) 8-pair Ultim8 blocks (24-ports) and (1) Type 105 label holder. Kit mounts directly to a wall, or to an optional rack or wall mount backboard. <i>Quantity: 1</i>	14.75" x 8.25 x 5.25" (374.7mm x 209.6mm x 133.4mm)	
UMS Basic Kit; Black		6657 2 165-40
UMS Basic Kit; Gray		6657 2 165-00

Copper Cable Management Solutions



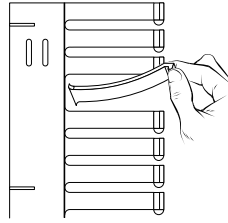
Copper Cable Management Solutions

Termination Block Mounting Hardware

Universal Mounting System (UMS) Cable and Wire Managers



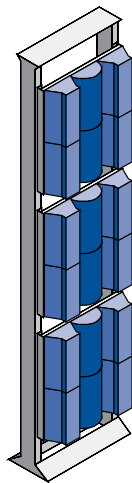
Vertical cable manager



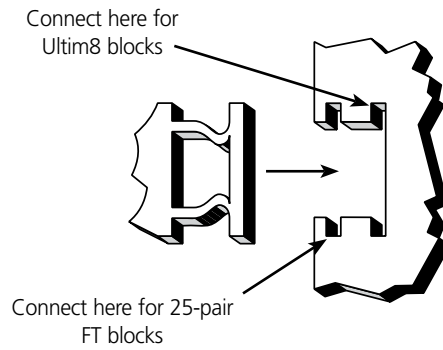
Individual ribs on the vertical cable manager remove to provide additional room for routing patch cords or cables.



Horizontal wire manager



19" equipment rack with three dual height backboards, each holding four Type 105 Universal Mounting Brackets and two vertical cable managers (1,152 pairs or 288 ports).



Connect here for Ultim8 blocks

Connect here for 25-pair FT blocks

Ordering information follows on the next page

Tech Tip

When connecting two UMS brackets, use the inner slot for HighBand blocks or 10-pair Series 2 blocks (Type 105) and the outer slot for 25-pair FT blocks (Type 160).