



Work Area Solutions

Angled Port Faceplates

These faceplates accept any combination of modular jacks and connectors found in this section. All faceplates and surface mount boxes are constructed of durable ABS plastic that meets UL 1863 safety rating and UL 94V-0.



4-port angled faceplate



8-port angled faceplate



Extender

Ordering Information

| Description | Dimensions (HxWxD) | Catalog Number* |
|--|---|-----------------|
| 4-port angled faceplate <i>Quantity: 1</i> Fits standard, single-gang box; 2 outlet labeling areas, 4 individual port ID areas; includes blank paper labels, clear plastic label protectors, logo insert, reversible-icon ID tabs numbered 1–6 (icon colors match faceplate), mounting screws (#6-32 x 15/16") | 4.5" x 2.75" x 0.25" (114.5mm x 70.0mm x 6.35mm) | 6644 1 174-XX |
| 8-port angled faceplate <i>Quantity: 1</i> Requires standard NEMA double-gang opening of at least 3.563" x 2.75" (some surface mount boxes do not meet this specification; please check carefully); 4 outlet labeling areas and 8 individual port ID areas; includes blank paper labels, clear plastic label protectors, logo inserts, 2 sets of reversible-icon ID tables numbered 1–6 (icon colors match faceplate), mounting screws (#6-32 x 15/16"). Not compatible with dual-gang mud rings | 4.5" x 4.94" x 0.25" (114.5mm x 125.48mm x 6.35mm) | 6644 1 178-XX |
| Faceplate extender <i>Quantity: 1</i> Provides room to allow for fiber bend radius, storage spool or additional copper cable working space; mounts on front of any standard single-gang NEMA box or All-Fit surface mount box to extend depth 1-inch; includes 2 mounting screws (#6-32 x 2"). Recommended for use with simplex SC adapters | 4.75" x 3.13" x 1" (120.1mm x 79.5mm x 25.4mm) | 6644 2 018-XX |

*Replace XX with:

- 01 = White
- 02 = Ivory
- 03 = Gray
- 04 = Black
- 22 = Electrical ivory



Work Area Solutions

Flush Mount Faceplates

These faceplates provide the basis for a wide range of possible information outlet combinations. With a single-gang capacity up to six ports, and a double-gang capacity of 12 ports, ADC can provide the density for the most demanding installation.

The faceplates accept any combination of modular jacks and connectors listed in this section. The variety of reversible-icon and color ID tabs for labeling provides a versatile and highly visible information outlet system.

TrueNet® Structured Cabling

3/06 • 102094AE



2-port faceplate



4-port faceplate



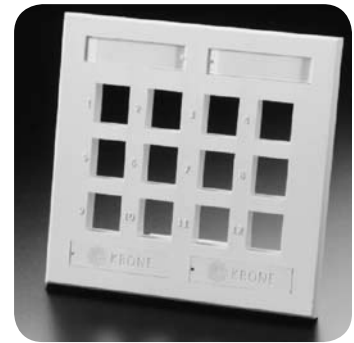
6-port faceplate



4-port, dual-gang faceplate



8-port, dual-gang faceplate



12-port, dual-gang faceplate



CopperTen™ 4-port staggered faceplate

Ordering information follows on the next page

Work Area Solutions



Work Area Solutions

Flush Mount Faceplates

| Ordering Information | | |
|--|---|-----------------------------|
| Description | Dimensions (HxWxD) | Catalog Number ¹ |
| Single-gang flush mount faceplates <i>Quantity: 1</i> Fit standard single-gang boxes. Include 2 blank paper labels, 2 clear plastic label protectors, 1 logo insert, 6 reversible-icon ID tabs numbered 1–6 (icon colors match faceplate), 2 mounting screws (#6-32 x 15/16") | 4.5" x 2.75" x 0.25" (114.5mm x 70.0mm x 6.35mm) | |
| 2-port faceplate 2 outlet labeling areas and 2 individual port ID areas | | 6644 1 152-XX |
| 4-port faceplate 2 outlet labeling areas and 4 individual port ID areas | | 6644 1 154-XX |
| CopperTen™ 4-port staggered faceplate Includes: 2 outlet labeling areas and 4 individual port ID areas. | | TNSCSFPSO4-YY ² |
| 6-port faceplate 2 outlet labeling areas and 6 individual port ID areas | | 6644 1 156-XX |
| Dual-gang flush mount faceplates <i>Quantity: 1</i> Require a standard NEMA double-gang opening of at least 3.563" x 2.75" (some surface mount boxes do not meet this specification; please check carefully). | 4.5" x 4.94" x 0.25" (114.5mm x 125.48mm x 6.35mm) | |
| 4-port faceplate 4 outlet labeling areas and 8 individual port ID labels. Include blank paper labels, clear plastic label protectors, logo inserts, 2 sets of reversible-icon ID tabs numbered 1–6 (icon colors match faceplate), 4 mounting screws (#6-32 x 15/16") | | 6644 1 164-XX |
| 8-port faceplate 4 outlet labeling areas and 8 individual port ID labels. Include blank paper labels, clear plastic label protectors, logo inserts, 2 sets of reversible-icon ID tabs numbered 1–6 (icon colors match faceplate), 4 mounting screws (#6-32 x 15/16") | | 6644 1 168-XX |
| 12-port faceplate 4 outlet labeling areas and 12 individual ports numbered consecutively, left to right, top to bottom. Includes 4 blank paper labels, 4 clear plastic label protectors, 2 logo inserts, 4 mounting screws (#6-32 x 15/16") | | 6644 1 157-XX |

¹ Replace XX with:

- 01 = White
- 02 = Ivory
- 03 = Gray
- 04 = Black
- 22 = Electrical Ivory

² Replace YY with:

- BK = Black
- IV = Ivory
- GY = Gray
- WT = White



Work Area Solutions

Specialty Faceplates

3/06 • 102094AE TrueNet® Structured Cabling



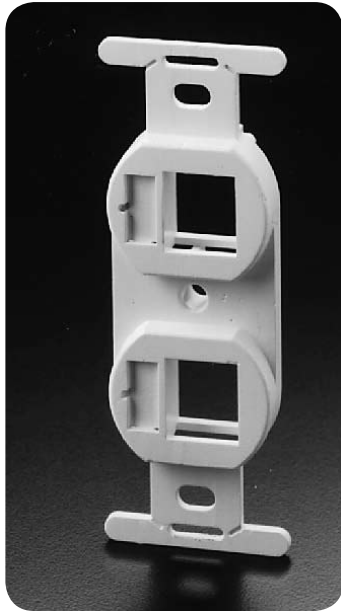
Stainless steel wall phone plate



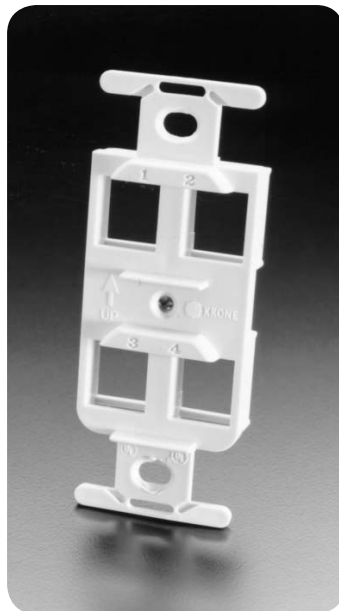
4-port Walker Monument faceplate



Drywall faceplate adapter shown with flush mount faceplate



2-port electrical faceplate



4-port electrical faceplate



Dual-gang surface mount box

Ordering information follows on the next page

Work Area Solutions



Work Area Solutions

Specialty Faceplates

Ordering Information

| Description | Dimensions (HxWxD) | Catalog Number |
|---|--|----------------|
| Stainless steel faceplate <i>Quantity: 1</i> Standard single-gang faceplate accepts any combination of modular jacks (which mount flush with the surface of the faceplate) and adapters found in this section. Not for use with shielded jacks. Includes 2 mounting screws (#6-32 x 15/16") | 4.5" x 2.75" x 0.25" (114.5mm x 70.0mm x 6.35mm) | |
| 1-port | | 6644 1 024-01 |
| 2-port | | 6644 1 024-02 |
| 3-port | | 6644 1 024-03 |
| 4-port | | 6644 1 024-04 |
| 6-port | | 6644 1 024-06 |
| Stainless steel wall phone plate <i>Quantity: 1</i> | 4.5" x 2.75" x 0.25" | 6644 3 000-53 |
| 4-port Walker Monument faceplate <i>Quantity: 1</i> Compatible with Walker 500 Series housing; 4-port faceplate accepts any combination of modular jacks and adapters; features workstation labeling and individual port designation ID tabs; includes 6 ID tabs (same color as faceplate), 1 station ID window and label, 2 mounting screws | (114.5mm x 70.0mm x 6.35mm) | |
| White | | 6644 1 165-01 |
| Ivory | | 6644 1 165-02 |
| Drywall faceplate adapter <i>Quantity: 1</i> For adding outlet to wall with no backbox; compatible with all ADC single-gang faceplates; adjustable to fit 0.25" thick to 1" thick wallboard, paneling or drywall. Can be mounted horizontally or vertically and can be used as template for cutout hole; thin front lip design allows adapter to seat better on drywall | | 6644 2 019-00 |
| Electrical faceplate 106 adapters <i>Quantity: 1</i> Match electrical faceplate knockouts and come in choice of standard electrical colors; include 6 reversible-icon ID tabs numbered 1-6 (icon colors match adapter), 2 mounting screws (#6-32 x 15/16") | 3.13" x 1.61" x 0.38" (79.5mm x 40.89mm x 9.65mm) | |
| 2-port Allows mounting of 2 modular jacks or connectors in a standard electrical-style outlet box; 2 individual port ID areas | | 6644 1 106-XX* |
| 4-port Allows mounting of 4 modular jacks or connectors; recessed numbering, 1-4, on front of adapter for easy port identification | | 6644 1 107-XX* |
| Dual-gang surface mount box <i>Quantity: 1</i> Compatible with electrical faceplate 106 adapters and all dual-gang faceplates; knockouts provide cabling access from all 4 sides and rear in several size. Ivory only | 4.75" x 5" x 1.75" (120.1mm x 127.0mm x 44.5mm) | 6644 3 000-28 |

*Replace XX with: 21 = Electrical white 23 = Electrical gray 04 = Black
 22 = Electrical ivory 24 = Electrical brown



Work Area Solutions

Decorative Faceplates



2- and 3-port decorative adapters



Single- and dual-gang faceplates

3/06 • 102094AE TrueNet® Structured Cabling

Work Area Solutions

Ordering Information

| Description | Dimensions (HxWxD) | Catalog Number* |
|--|--------------------|-----------------|
| Decorative faceplate <i>Quantity: 1</i> Includes #6-32 oval head screws (match color of faceplate) | | |
| Single-gang | | 6644 1 410-XX |
| Dual-gang | | 6644 1 420-XX |
| Triple-gang | | 6644 1 430-XX |
| Decorative adapter <i>Quantity: 1</i> Includes reversible voice/data ID tabs, numbered 1–6; (2) #6-32 flat head, counter-sunk slotted screws for installation into any NEMA standard box | | |
| 2-port | | 6644 1 402-XX |
| 3-port | | 6644 1 403-XX |

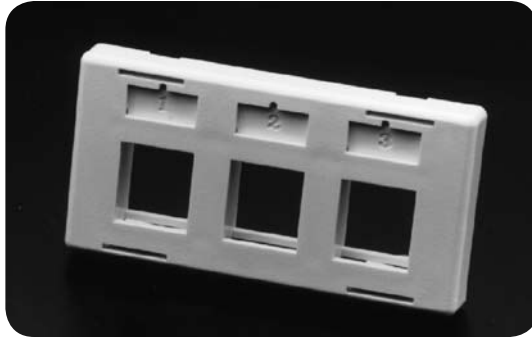
*Replace XX with:
 20 = Eggshell
 21 = Electrical white
 22 = Electrical ivory
 23 = Electrical gray
 04 = Black



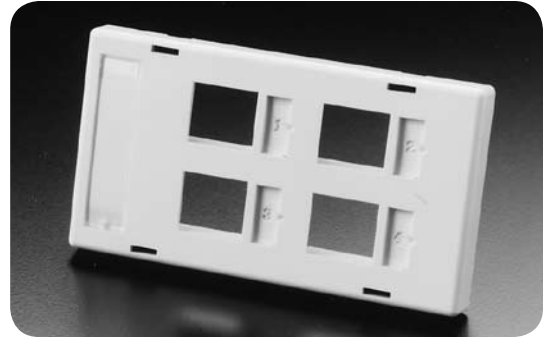
Work Area Solutions

Modular Furniture Faceplates

ADC's modular furniture faceplates are compatible with leading office furniture and accept ADC's modular jacks and connectors. Contact ADC Technical Assistance Center for specific model compatibility.



3-port modular furniture faceplate



4-port modular furniture faceplate



2-port horizontal faceplate

Modular Furniture Faceplate Compatibility

| 3-port | 4-port |
|-----------------------------|-------------------------------------|
| Steelcase 9000 | Herman Miller, Action Office 1 |
| Steelcase Avenir | Herman Miller, Action Office 2 |
| Steelcase Context | Herman Miller, Action Office 3 |
| AllSteel 8000 | Herman Miller, Ethospace (baseline) |
| Knoll Morrison | Herman Miller |
| Knoll Reff | Phoenix |
| Haworth Places and Unigroup | Kimball |
| Haworth Places | |
| Haworth Premise | |
| Haworth Race | |

Ordering information follows on the next page



Work Area Solutions

Modular Furniture Faceplates



| Ordering Information | | |
|---|--|-----------------|
| Description | Dimensions (HxWxD) | Catalog Number* |
| 3-port modular furniture faceplate <i>Quantity: 1</i> Recommended opening: 2.65" x 1.377" (67.31mm x 34.98mm) Maximum thickness: 0.06" (1.52mm) 3 individual port ID areas; includes 6 reversible-icon ID tabs numbered 1-6 (icon colors match faceplate) | 1.61" x 3.13" x 0.38" (40.9mm x 79.5mm x 9.65mm) | 6644 1 143-XX |
| 4-port modular furniture faceplate <i>Quantity: 1</i> Fits openings 1.890" to 1.920" (48mm to 48.77mm) high, 2.572" to 3.866" (65.33mm to 98.2mm) wide Maximum thickness: 0.08" (2.03mm) 1 outlet labeling area, 4 individual port ID areas; includes 2 blank paper labels, 1 clear plastic label protector, 1 logo insert, 6 reversible-icon ID tabs numbered 1-6 (icon colors match faceplate) | 2.17" x 3.9" x 0.38" (55.12mm x 99mm x 9.65mm) | 6644 1 144-XX |
| 4-port Beltline adapter for Herman Miller Ethospace furniture <i>Quantity: 1</i> | | 6644 3 299-XX |
| 2-port horizontal faceplate <i>Quantity: 1</i> Fits standard NEMA openings in modular furniture raceways or standard single-gang boxes; designed for horizontal orientation; 1 outlet labeling area, 2 individual port ID areas; ID tabs hide faceplate mounting screws. Includes 2 blank paper labels, 1 clear plastic label protector, 6 reversible-icon ID tabs numbered 1-6 (icon colors match faceplate), 2 mounting screws (#6-32 x 15/16", with custom head) | 2.75" x 4.5" x 0.25" (69.85mm x 114.3mm x 6.35mm) | 6644 1 112-XX |

*Replace XX with:
 01 = White
 02 = Ivory
 03 = Gray
 04 = Black



Work Area Solutions

Surface Mount Boxes



6-port surface mount box



2-port surface mount box



4-port surface mount box



CopperTen™ 6-port surface mount box

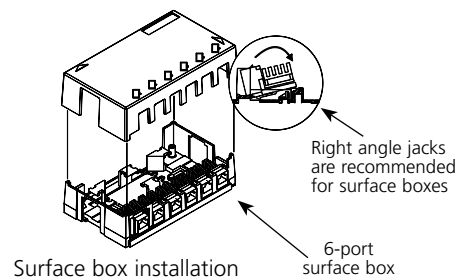
3/06 • 102094AE TrueNet® Structured Cabling

Ordering Information

| Description | Dimensions (HxWxD) | Catalog Number ¹ |
|--|--|-----------------------------|
| 2-port surface mount box <i>Quantity: 1</i> 1 outlet labeling area, 2 individual port ID areas; includes 1 blank paper label, 1 clear plastic label protector, 1 logo insert, 6 reversible icon ID tabs numbered 1–6 (icon colors match faceplate), hook-and-loop fastener strips. Knockouts allow cable and raceway access | 1" x 2.25" x 2.31" (25.4mm x 57.2mm x 58.67mm) | 6644 1 222-XX |
| 4-port surface mount box <i>Quantity: 1</i> 1 outlet labeling area, 4 individual port ID areas; includes 1 blank paper label, 1 clear plastic label protector, 6 reversible icon ID tabs numbered 1–6, 1 screw for locking down cover and hook-and-loop fastener strips. Knockouts allow cable and raceway access | 2.88" x 4.25" x 1" (73.15mm x 107.95mm x 25.4mm) | 6644 1 224-XX |
| 6-port surface mount box <i>Quantity: 1</i> 2 outlet labeling areas, 6 individual port ID areas; includes 1 blank paper label, 1 clear plastic label protector, 6 reversible icon ID tabs numbered 1–6 (icon colors match faceplate), 2 mounting screws (#6-32 x 15/16"), hook-and-loop fastener strips. Knockouts allow cable access from 3 sides | 3.38" x 6" x 1.5" (85.85mm x 152.4mm x 38.1mm) | 6644 2 201-XX |
| CopperTen™ 6-port surface mount box <i>Quantity: 1</i> Individual port ID areas; includes 2 blank paper labels, 2 clear plastic label protectors, 6 reversible icon ID tabs numbered 1–6 (icon colors match faceplate), 2 mounting screws (#6-32 x 15/16"), hook-and-loop fastener strips. Knockouts allow cable access from 3 sides | 7.00" x 5.00" x 1.375" (85.85mm x 152.4mm x 38.1mm) | TNSCSSB6-YY ² |

¹ Replace XX with:
 01 = White 02 = Ivory
 03 = Gray 04 = Black
 22 = Electrical Ivory

² Replace YY with:
 BK = Black GY = Gray
 IV = Ivory WT = White





Work Area Solutions

Surface Box for Modular Furniture

The surface box for modular furniture accepts any combination of modular jacks and adapters. It supports both 6- and 12-port configurations and is used in zone cabling applications.



Features

- Six-port cable guides for cable management
- Discrete port labeling
- Flush face for clean look and protection of connectors
- Constructed of durable ABS plastic, rated UL 94V-0
- UL1863 safety rating

Ordering Information

| Description | Dimensions (HxWxD) | Catalog Number |
|---|---|----------------|
| 12-port surface box | 1.61" x 3.13" x 0.38" (40.9mm x 79.5mm x 9.65mm) | 6644 1 460-01 |
| Surface box mounting accessories | | |
| Double sticky-back tape <i>Quantity: 1</i> Used to mount surface boxes permanently to smooth surfaces | | 6630 3 025-01 |
| Magnet strip <i>Quantity: 1</i> Adhesive backed, magnetic strip | 0.06" x 3" x 5.75" (1.52mm x 76.2mm x 146.05mm) | 6630 3 025-09 |



Work Area Solutions

Specialty Boxes

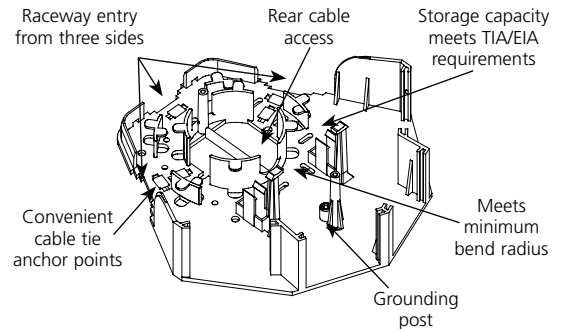
Multimedia Box

The low-profile, surface mount multimedia box allows installation of fiber, copper and/or coax in a single unit. It maintains minimum bend radius and fiber storage to comply with TIA/EIA-568-A requirements.

A unique hidden labeling system provides identification for sixteen individual ports with colored ID tabs, paper labels and write-on surfaces on or under a removable door. Angled bezels meet minimum bend radius requirements and allow the box to be configured to meet the requirements of a specific application.



Multimedia box shown with selected bezels, jacks, connectors and ID tabs installed



Ordering Information

| Description | Dimensions (HxWxD) | Catalog Number* |
|--|--|-----------------|
| Multimedia box <i>Quantity: 1</i> Includes logo insert, 1 clear plastic window, 16 reversible icon ID tabs numbered 1-6, 3 blank bezels, tie wraps, hook-and-loop fastener | 8.25" x 8.25" x 2.25" (210mm x 210mm x 57.15mm) | 6644 1 450-XX |
| Empty multimedia bezels <i>Quantity: 1</i> Fit in 1 position of multimedia box. Compatible jacks or adapters ordered separately | | |
| 4-port bezel Accepts up to 4 of any modular jack or adapter | | 6644 3 205-XX |
| 6-position SC bezel Accepts up to 6 SC-style fiber optic adapters | | 6644 3 267-XX |
| Duplex SC/RJ bezel Accepts 1 duplex 2-port SC bezel and any 2 modular jacks or adapters | | 6644 3 211-XX |
| Blank bezel Protects opening from dust or other contaminant's | | 6644 3 209-XX |
| Mounting magnets <i>Quantity: 2</i> Mount the multimedia box on smooth, flat, metal surfaces | | 6630 3 025-11 |

*Replace XX with: 01 = White 02 = Ivory



Work Area Solutions

Specialty Boxes

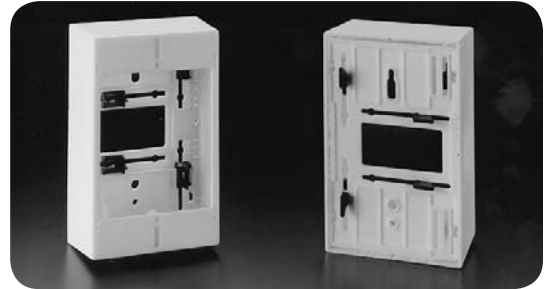
All-Fit Specialty Box

The All-Fit box mounts in standard NEMA wall boxes, in modular office furniture and on virtually any surface. The unique on-board termination design allows installers to punch down wires with jacks already in place. The snap-on cover includes an optional screw-down feature for added security. The low-profile design and choice of colors provide an attractive receptacle that blends with any office decor. Knockouts allow easy access for cable and raceways. The All-Fit box provides both station and individual port identification.

3/06 • 102094AE TrueNet® Structured Cabling



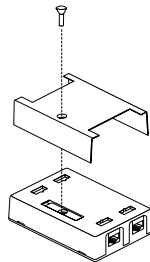
4-port box



Surface mount box



Steel cover box



6-port box



Standard wall box



Modular furniture



Surface mount



Duplex SC bezel

Ordering information follows on the next page

Work Area Solutions



Work Area Solutions

Specialty Boxes

All-Fit Specialty Box

Ordering Information

| Description | Dimensions (HxWxD) | Catalog Number* |
|--|---|-----------------|
| 6-port All-Fit box <i>Quantity: 1</i> Includes 1 blank paper label, 1 clear plastic label protector, 6 reversible icon ID tabs numbered 1–6 (icon colors match box), 2 mounting screws (#6/32 x 15/16"), 4 All-Fit sliders, hook-and-loop fastener strips. Meets all TIA/EIA requirements for fiber storage and spooling; 6 individual port identification and station labeling areas; secure, cover locking option; low profile design. Knockouts on 3 sides for raceway and cable entrance | 1" x 6.5" x 5" (25.4mm x 165.1mm x 127mm) | 6644 2 202-XX |
| 4-port All-Fit box <i>Quantity: 1</i> Includes 1 blank paper label, 1 clear plastic label protector, 6 reversible icon ID tabs numbered 1–6 (icon colors match box), 2 mounting screws (#6-32 x 15/16"), 1 screw for locking down cover, hook-and-loop fastener strips. Knockouts allow cable access from either top or bottom | 2.88" x 4.25" x 1" (73.15mm x 107.95mm x 25.4mm) | 6644 1 224-XX |
| Steel cover for All-Fit box <i>Quantity: 1</i> Durable 22 gauge steel cover; for use in any environment where station outlet is susceptible to physical abuse or tampering; painted white. Mounts directly to All-Fit box; cutouts allow individual port ID tabs to remain visible. Self-tapping, flat head mounting screw included. Custom covers available; contact ADC | 2.88" x 4.25" x 1" (73.15mm x 107.95mm x 25.4mm) | 6644 2 016-01 |
| Duplex SC bezel for All-Fit multimedia box <i>Quantity: 1</i> Compatible with SC-style duplex adapter. Occupies space of any 2 adjacent individual port openings: recessed so face of adapter is flush with face of box | | 6644 3 220-XX |
| All-Fit surface mount box <i>Quantity: 1</i> Accepts any ADC modular single-gang flush mount faceplates or electrical faceplate 106 adapters. Cable access provided from rear and from all 4 sides with knockouts in several sizes | 4.81" x 3" x 1.75" (122.2mm x 76.2mm x 44.45mm) | 6644 2 017-XX |
| Magnet strip <i>Quantity: 1</i> Adhesive backed, magnetic strip | 0.06" x 3" x 5.75" (1.52mm x 76.2mm x 146.05mm) | 6630 3 025-09 |

*Replace XX with:
01 = White
02 = Ivory
03 = Gray
04 = Black



Work Area Solutions

Accessories

Ordering Information

| Description | Catalog Number |
|--|----------------|
| KM8 termination tool <i>Quantity: 1</i> Terminates all four pair at once | 6830 1 490-00 |
| Termination puck <i>Quantity: 1</i> Terminates both in-line and right angle jacks; built-in strain relief | 6645 1 180-04 |
| ID tabs with icons numbered 1-6 <i>Quantity: 6</i> Snap into individual port identification area above jack or connector opening. Reversible: data icon on one side, voice icon on other; same number appears on both sides. Each package contains icons numbered 1-6 | 6631 2 125-XX* |
| Paper labels for faceplates <i>Quantity: 1</i> Adhesive labels come pre-cut on white 8.5" x 11" sheet, 190 labels per sheet. Accommodate hand or laser printing. Fit in label area on front of modular faceplates | 6631 3 100-06 |

Labeling templates are available in Microsoft® Word and Excel formats.
Please contact ADC Technical Assistance Center.

*Replace XX with:

- 01 = White
- 02 = Ivory
- 03 = Gray
- 04 = Black
- 05 = Red
- 06 = Blue
- 07 = Green
- 08 = Yellow
- 09 = Purple
- 10 = Orange



Work Area Solutions

Concealed Entrance Outlets

Concealed Entrance Outlets are single- and dual-gang multimedia outlets with discrete labeling and built-in cable management that both conceals and protects the fiber and copper cabling connectors.

The cover protects the connector's integrity, conceals the connectors from view and is removable to allow access to all connections. It snaps or "locks" into place with a screw (included) to avoid tampering.



Concealed Entrance Outlet



Single-gang



Dual-gang

3/06 • 102094AE TrueNet® Structured Cabling

Ordering Information

| Description | Catalog Number* |
|---|-----------------|
| Concealed entrance outlet, multimedia | |
| Single-gang Accepts 4 connectors and 1 duplex SC or 2 duplex SC connectors. Includes clear window, paper label, 6 ID tabs, mounting screws, base, cover and (2) 4-port bezels | 6644 1 184-XX |
| Dual-gang Accepts 8 connectors and 2 duplex SC or 3 duplex SC connectors. Includes clear window, paper label, 6 ID tabs, mounting screws, base, cover and (2) 4-port bezels | 6644 1 188-XX |

*Replace XX with:

- 01 = White
- 02 = Ivory
- 03 = Gray
- 04 = Black