

THIS DRAWING IS UNPUBLISHED. RELEASED FOR PUBLICATION
 © COPYRIGHT BY TYCO ELECTRONICS CORPORATION. ALL RIGHTS RESERVED.

LOC	DIST	REVISIONS					
ES	-	P	LTR	DESCRIPTION	DATE	DWN	APVD
		B		ECR-09-016700	29JUL2009	EX	RC

CATEGORY 6 PERFORMANCE CHARACTERISTICS

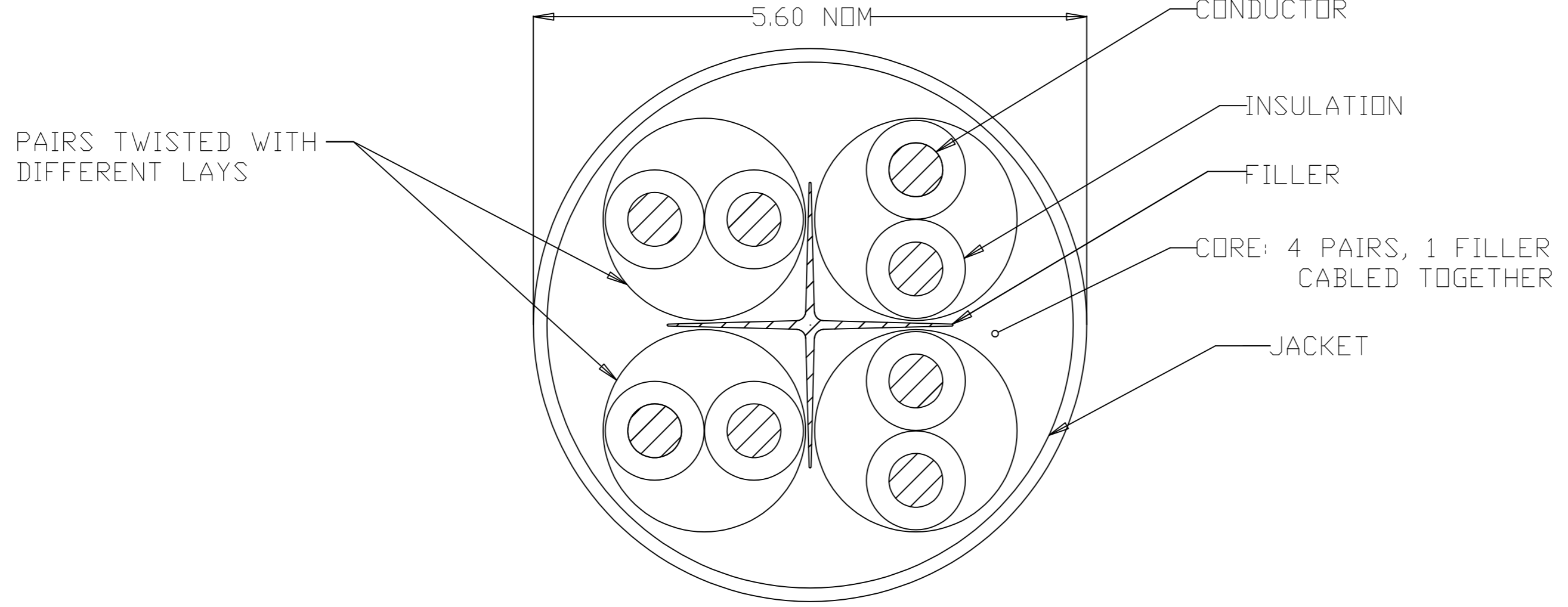
FREQUENCY (MHz)	ATTENUATION (db/100m)	NEXT (db, WORST PR)	PSNEXT (db)	ELFEXT (db, WORST PR)	PSELFEXT (db)	DELAY (ns/100m)	RL (db)	IMPEDANCE (ohms)	ACR (db)
	MAXIMUM	MINIMUM	MINIMUM	MINIMUM	MINIMUM	MAXIMUM	MINIMUM		MINIMUM
1	2.1	74.3	72.3	67.8	64.8	570	20.0	100±15	72.3
4	3.9	65.3	63.3	55.8	52.8	552	23.0	100±15	61.5
8	5.6	60.8	58.8	49.7	46.7	547	24.5	100±15	55.5
10	6.2	59.3	57.3	47.8	44.8	545	25.0	100±15	53.3
16	7.9	56.2	54.2	43.7	40.7	543	25.0	100±15	48.7
20	8.8	54.8	52.8	41.8	38.8	542	25.0	100±15	46.3
25	9.9	53.3	51.4	39.8	36.8	541	24.3	100±15	43.9
31.25	11.1	51.9	49.9	37.9	34.9	540	23.6	100±15	41.2
62.5	16.0	47.4	45.4	31.9	28.9	539	21.5	100±15	32.0
100	20.6	44.3	42.3	27.8	24.8	538	20.1	100±15	24.5
200	30.2	39.8	37.8	21.8	18.8	537	18.0	100±15	10.8
250	34.2	38.3	36.4	19.8	16.8	536	17.3	100±15	5.6


- 1 LENGTH START AT 305 METER DOWN TO 0 METER
LENGTH MEASUREMENT ACCURACY TO BE ±1%
- 2 INSULATION COLORS SHALL BE BLUE, ORANGE, GREEN, BROWN AND WHITE
- 3 JACKET COLOR SHALL BE IN ACCORDANCE WITH EIA-359-A WIRE AND CABLE LIMITS OR TYCO ELECTRONICS SUPPLIED COLOR STANDARD
- 4 PRINT DURABILITY SHALL BE PER UL 444 SECTIONS 31.1 THRU 31.5
- 5 PRINT COLOR SHALL BE BLACK EXCEPT WHITE ON THE BLACK JACKET
- 6 YYWW IS DATE CODE, YY-YEAR, WW-WEEK
- 7. GOVERNING SPECIFICATIONS - LATEST REVISIONS
TIA/EIA 568B
NEC 800
UL 444
- 8 WHITE SINGLES HAVE BANDMARKS

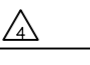
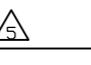
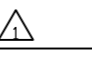
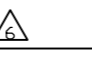
FOR ENGINEERING PURPOSES ONLY, ALL MEASUREMENTS ARE SWEEPED OVER THE FREQUENCY RANGE OF INTEREST.

COLOR CODE  

PAIR	COLOR CODE
1	WHT/BLU//BLU
2	WHT/ORG//ORG
3	WHT/GRN//GRN
4	WHT/BRN//BRN



YELLOW	305±2%	REEL BOX	1427072-8
RED	305±2%	REEL BOX	1427072-7
BLUE	305±2%	REEL BOX	1427072-6
ORANGE	305±2%	REEL BOX	1427072-5
GRAY	305±2%	REEL BOX	1427072-4
GREEN	305±2%	REEL BOX	1427072-3
WHITE	305±2%	REEL BOX	1427072-2
BLACK	305±2%	REEL BOX	1427072-1
COLOR 	LENGTH (METER)	PACKAGE	PART NUMBER

  AMP NETCONNECT CATEGORY6 CABLE XXYY E138034 CMR (UL) C(UL) 4PR 24AWG UTP ---[LENGTH] METER YYWW  

LEGEND TO BE REPEATED EVERY METER

THIS DRAWING IS A CONTROLLED DOCUMENT.		DWN ERIC XU 29JUL2009	Tyco Electronics Corporation Shanghai, China	
DIMENSIONS: mm		CHK RICKY CHEN 29JUL2009	NAME CABLE, CAT6, 4UTP, 24AWG, CMR	
TOLERANCES UNLESS OTHERWISE SPECIFIED:		APVD RICKY CHEN 29JUL2009	SIZE A2 CAGE CODE 00779 DRAWING NO C=1427072	
0 PLC ± -		PRODUCT SPEC	RESTRICTED TO	
1 PLC ± -		APPLICATION SPEC	SCALE - SHEET 1 of 1 REV B	
2 PLC ± -		WEIGHT -		
3 PLC ± -		CUSTOMER DRAWING		
4 PLC ± -				
ANGLES ± -				
FINISH -				