

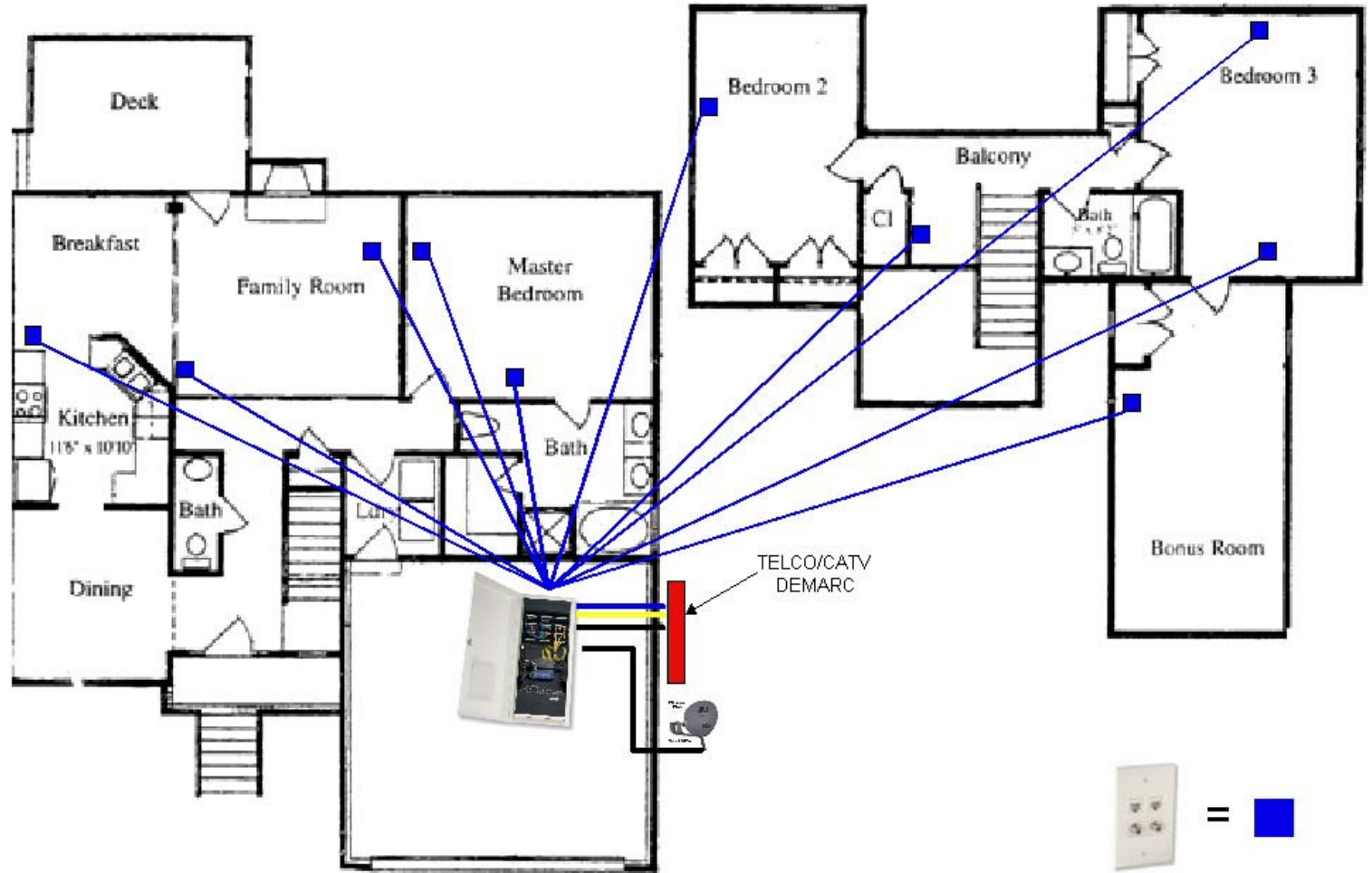


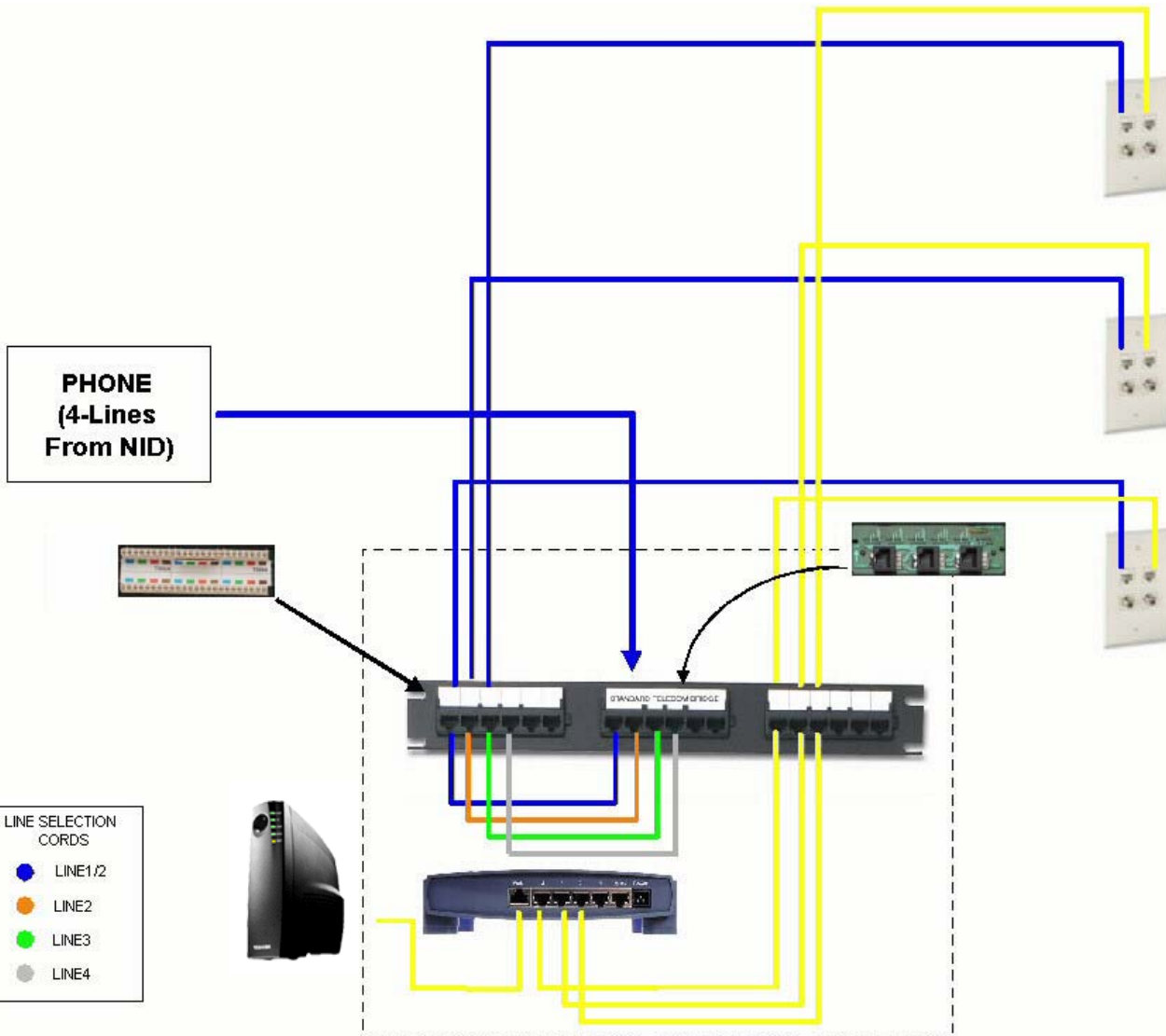
# AMP NETCONNECT Home Net-Works Applications

September 10, 2007



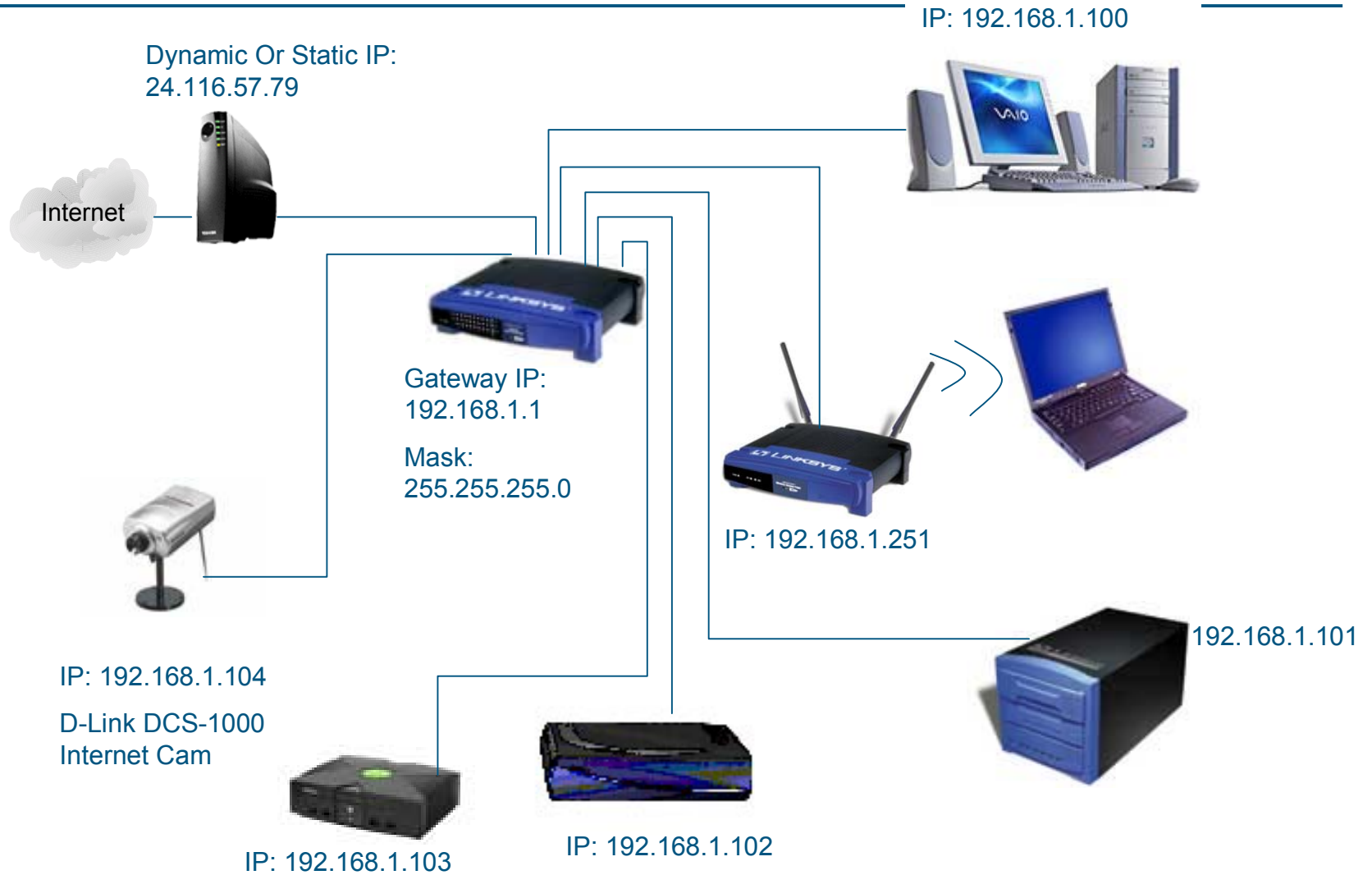
# Typical Structured Cabling Layout



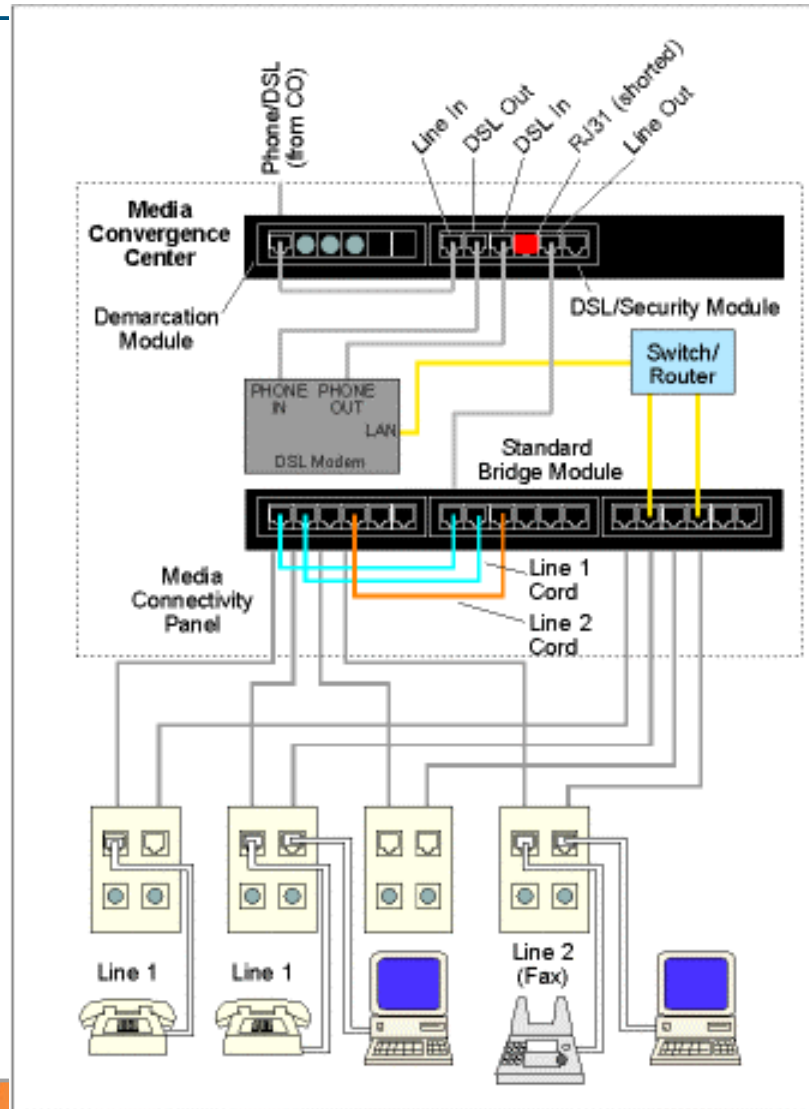


# Typical Networking Applications

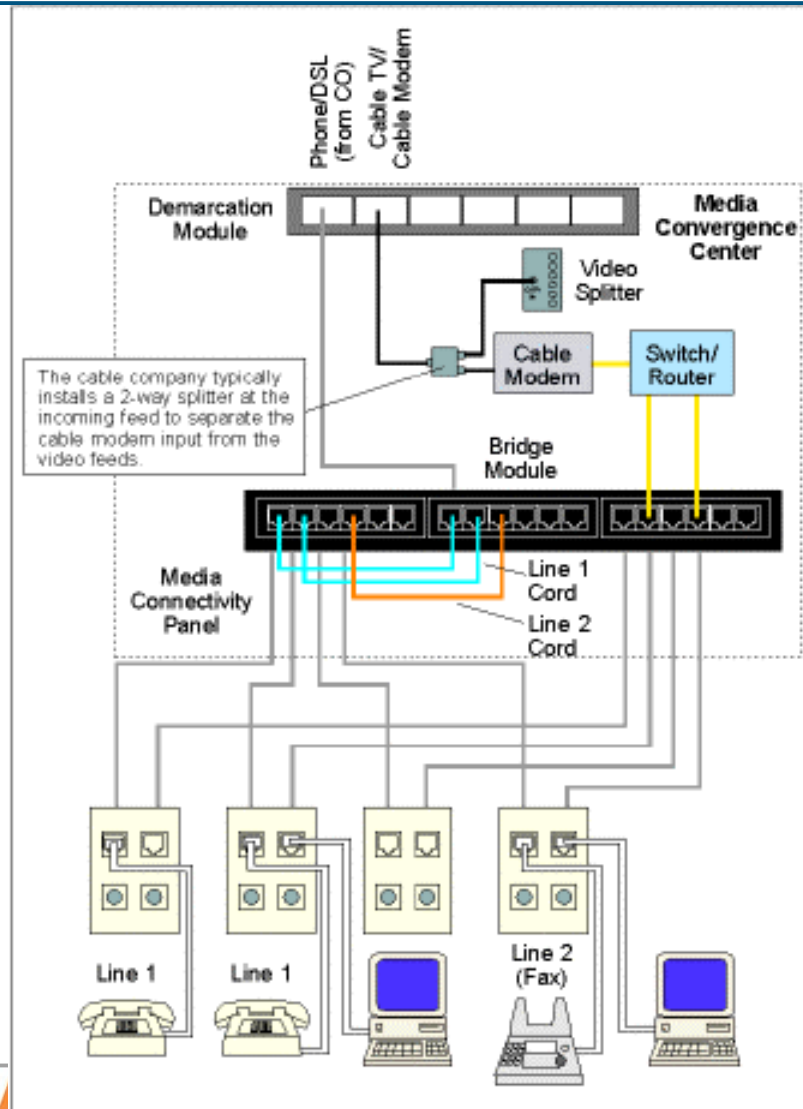




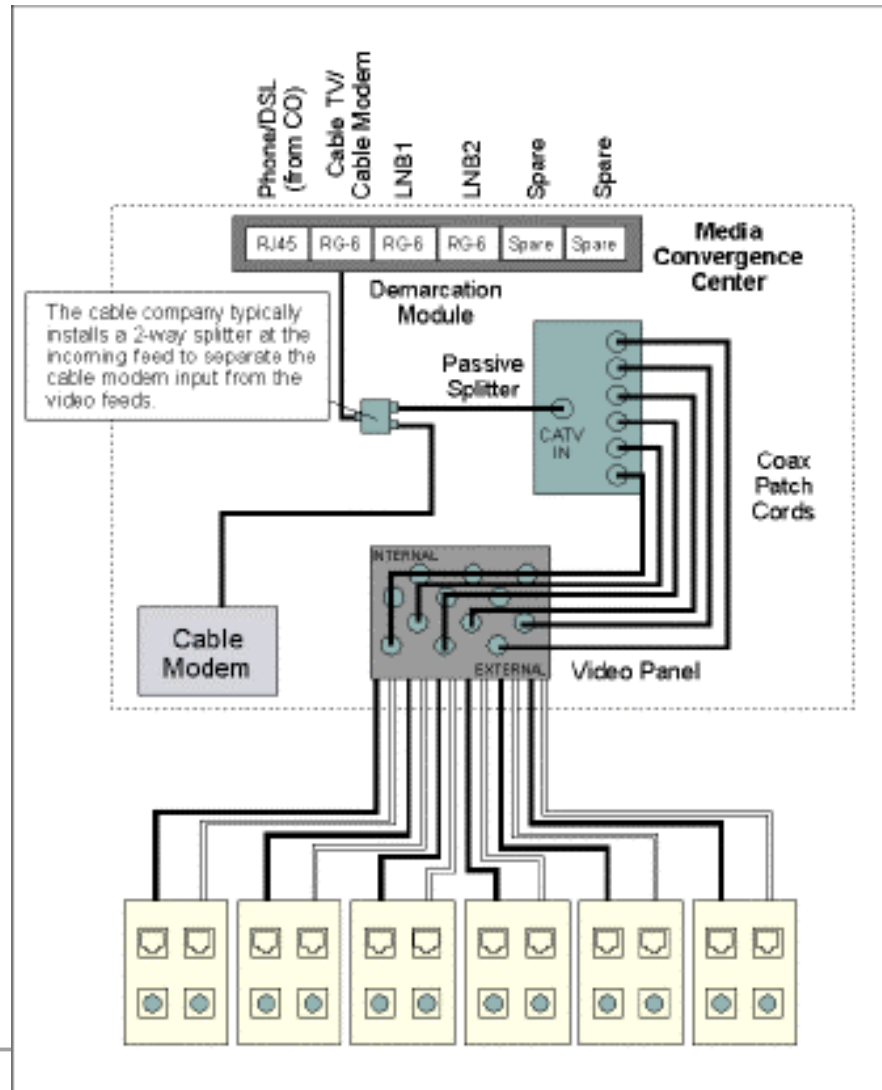
# Voice/Data with DSL Modem

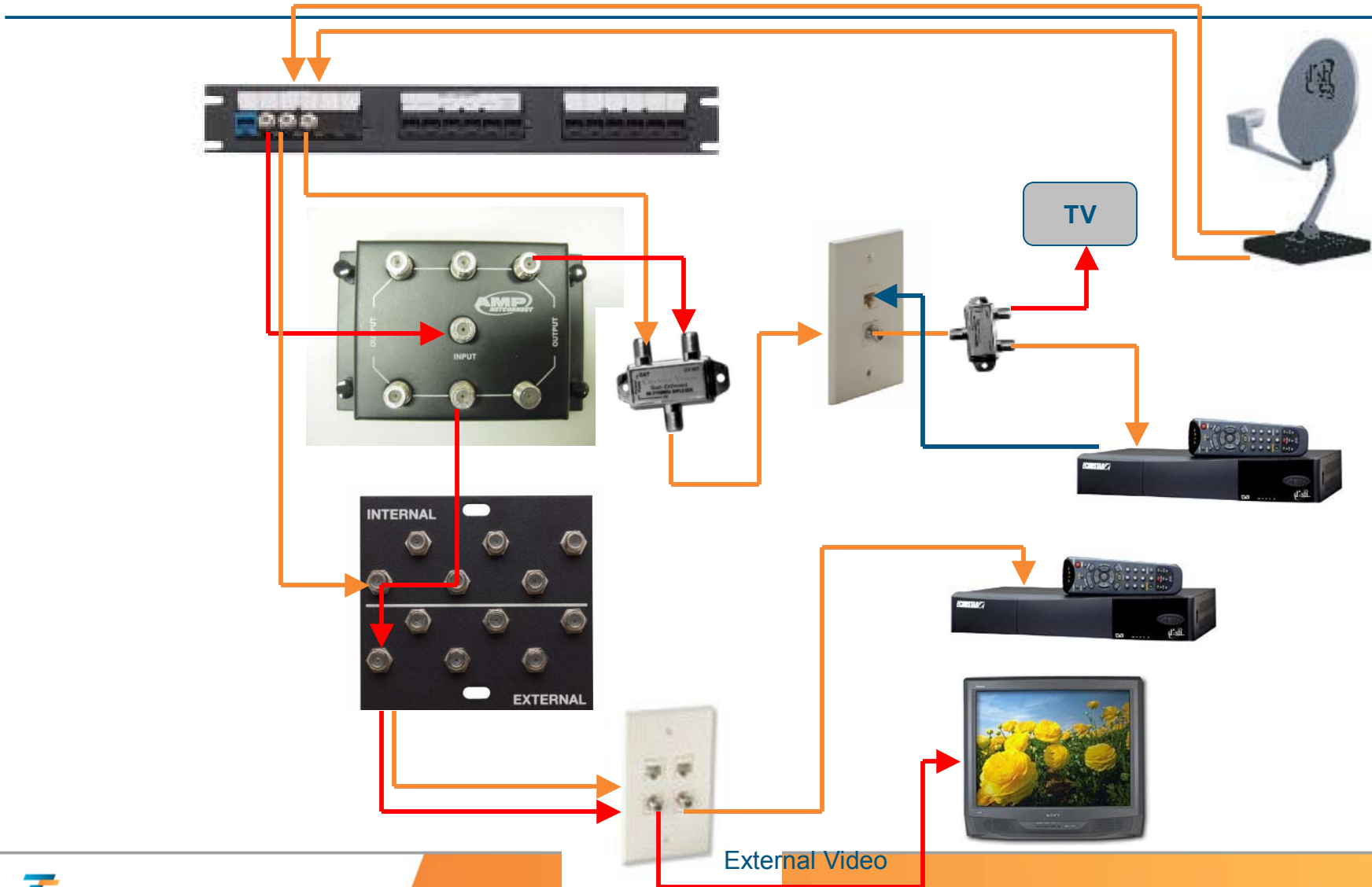


# Voice/Data with Cable Modem

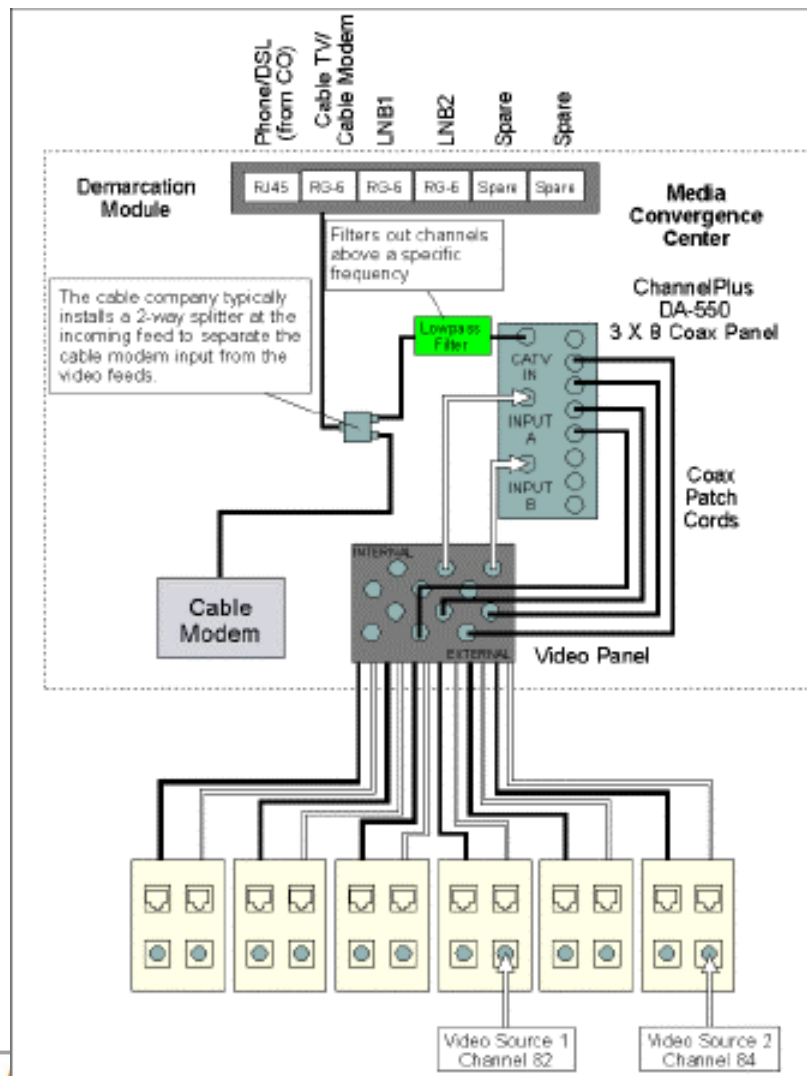


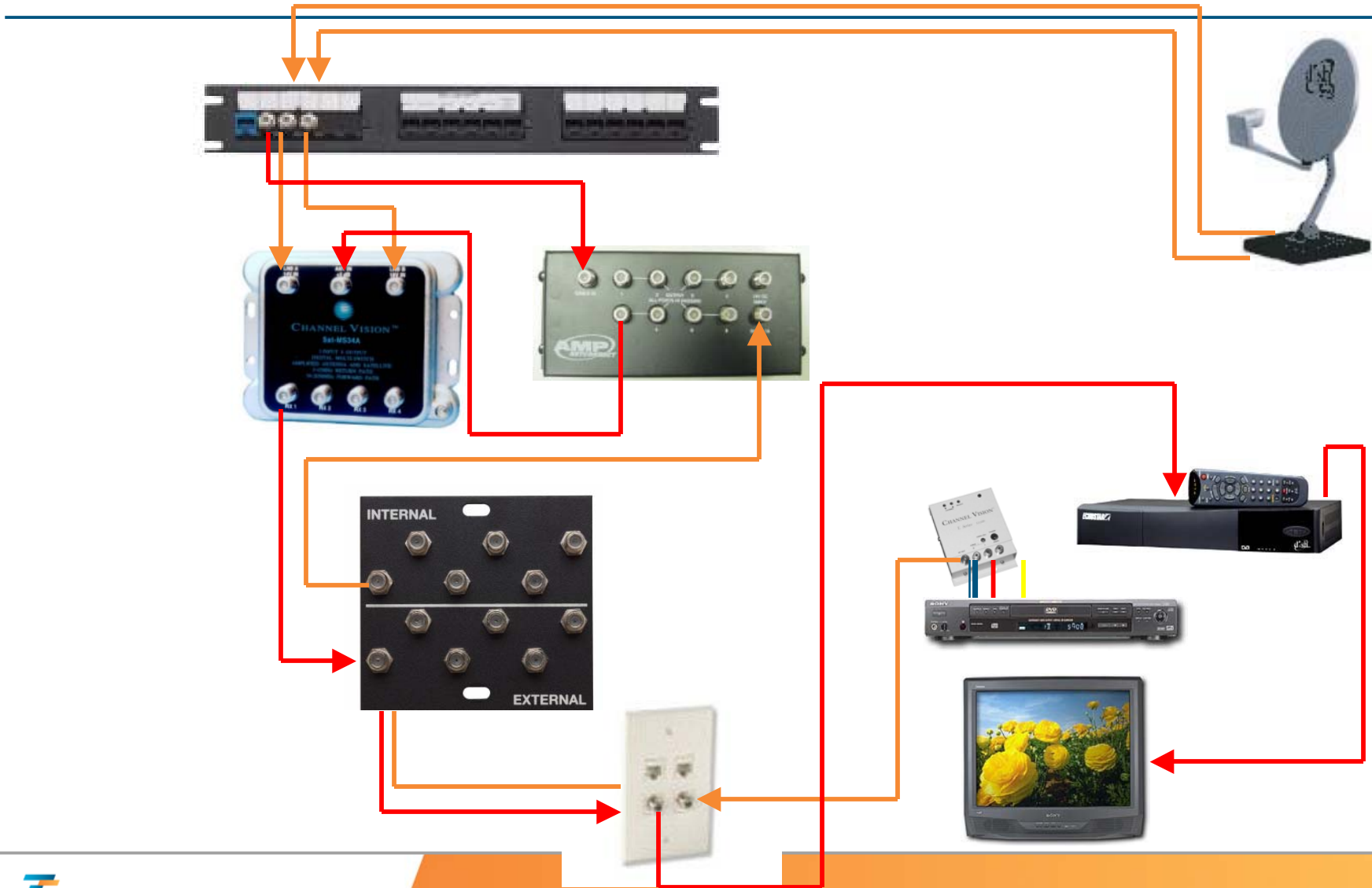
# Basic Video Application





# Enhanced Video Application







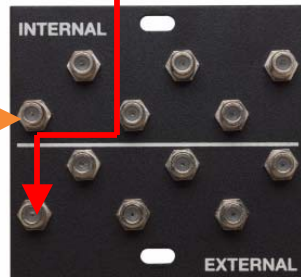
Low Pass Filter: Blocks all channels above a specified frequency, depending upon model, in order to provide a "clean" frequency band for modulated channels.



Set modulator to an unused channel. Ex. View DVD on channel 82.



Internal Video



External Video

# Networking Technologies

---

- Ethernet (IEEE 802.3)
  - 1000Mbps
- Wireless
  - IEEE 802.11b (2.4GHz, 11Mbps)
  - IEEE 802.11a (5.4GHz, 54Mbps)
  - IEEE 802.11g (2.4GHz, 11/54Mbps)
  - .11a not compatible with .11b or .11g.
- Phoneline (HPNA)
  - Up to 10Mbps
- Powerline (HomePlug)
  - 14Mbps

NOTE: With the exception of star-wired, switched Ethernet, bandwidth is shared among all devices connected to the network.