

INSTALLATION

1. REMOVE THE COVER BY HOLDING THE PANEL AT ONE END WITH ONE HAND AND WITH THE OTHER HAND GRASP THE UPPER AND LOWER HINGES BETWEEN THUMB AND FINGER AND PULL UNTIL HINGES RELEASE. REPEAT THIS FOR THE HINGES AT THE OTHER END OF COVER.

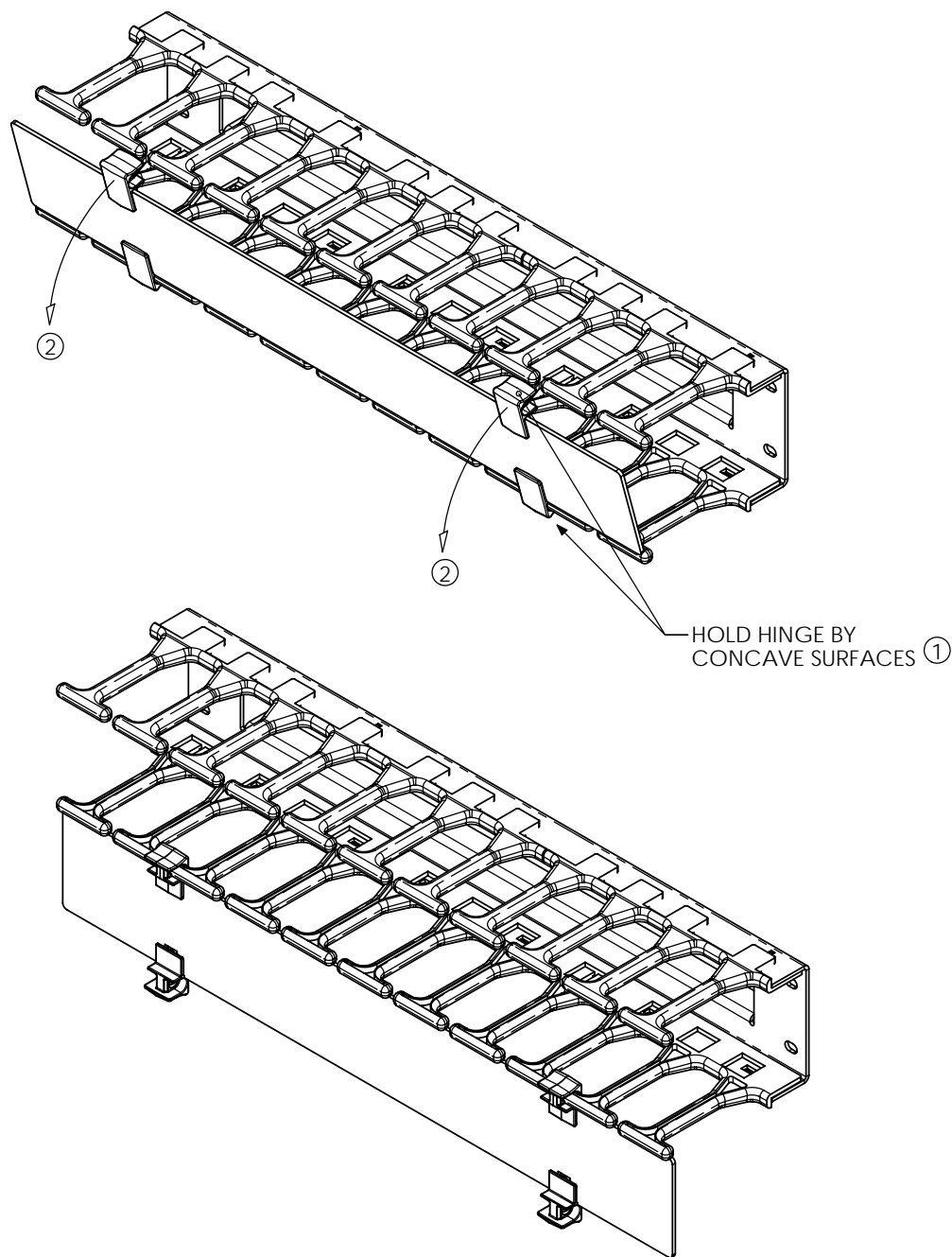
NOTE: DO NOT REMOVE COVER BY PULLING ON COVER PANEL.

2. MOUNT PANEL TO RACK USING THE FOUR SLOTS INDICATED.
3. REPLACE COVER ON PANEL BY ALIGNING HINGES OVER GAPS BETWEEN CABLE GUIDE FINGERS. PUSH ON ALL FOUR HINGES EVENLY UNTIL THE HINGES SNAP INTO PLACE. DO NOT PUSH ON COVER PANEL.

CPI CHATSWORTH PRODUCTS, INC.

INSTALLATION INSTRUCTIONS,
UNIV HORIZONTAL
CABLE MANAGER

THIS DRAWING CONTAINS INFORMATION PROPRIETARY TO CHATSWORTH PRODUCTS, INC. ANY REPRODUCTION DISCLOSURE OR USE OF THIS DRAWING IS EXPRESSLY FORBIDDEN EXCEPT AS AGREED TO IN WRITING BY CHATSWORTH PRODUCTS, INC.



COVER OPERATION

TO GAIN ACCESS TO THE CABLES WITHIN THE PANEL THE COVER CAN BE HINGED OPEN, EITHER FROM THE TOP OR BOTTOM, OR IT CAN BE COMPLETELY REMOVED.

1. WITH YOUR RIGHT HAND GRASP THE RIGHT HINGES, ON THE CONCAVE SURFACES, BETWEEN YOUR THUMB AND FINGER. GRASP THE LEFT HINGES WITH YOUR LEFT HAND.

TO HINGE THE COVER OPEN:

2. PULL ON EITHER THE TOP OR BOTTOM HINGES, ALLOWING THE COVER TO PIVOT ON THE OPPOSITE HINGES, UNTIL THEY RELEASE.

TO REMOVE THE COVER:

3. PULL ON ALL THE HINGES EVENLY UNTIL THEY RELEASE.