

Product Information Sheet

SINGLE RACK ENCLOSURES

The Single Rack Enclosure is used to enclose an existing installed rack. Consider a MegaFrame® Cabinet (refer to Section 2) as an alternative if you don't have a pre-existing installed rack.

Easy access for installation and maintenance is an integral part of the overall design. The top and both side panels can be removed in minutes to provide access to module interior. In addition, it's easy to remove the doors for complete access. Or, when the door opening needs to be reversed to the opposite side (right-or left-opening), it's easy to do.

Made of high-strength aluminum and finished with either computer white or black paint, making the units both protective and attractive.

The Single Rack Enclosure comes standard with smoke-colored plexiglass doors that make it easy for anyone to visually check equipment operation status without touching equipment. Also available with metal doors.

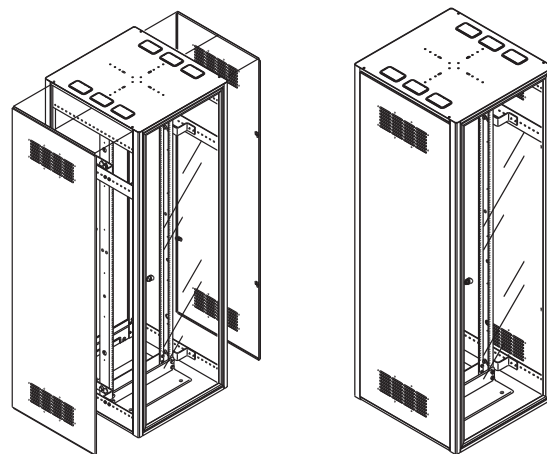
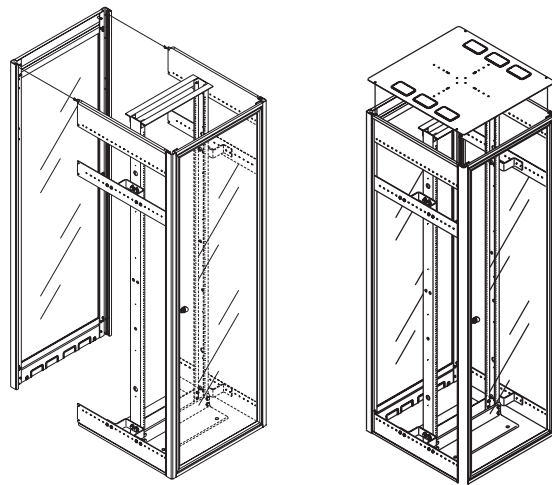
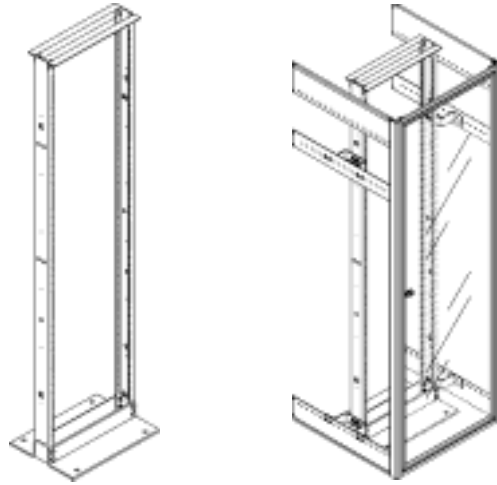
The Single Rack Enclosure has ample room for wire and cable. To enhance vertical cable management within an enclosure, consider the CPI Vertical Cable Section, P/N 12175 (requires use of special brackets and Universal Racks only). Optional ventilation fans and filters are available.

The aluminum top panel with six edge-protected punch-out ports provides cabling access wherever needed. Run cable through the back panel by removing one of four cable access plates located along the bottom kick plate.

Ships complete with assembly instructions in just one 14" x 32" x 89" carton. Shipping weight approximately 135 lb.

Features:

- Strong, lightweight aluminum construction
- Can be added around a pre-installed rack
- Easy upgrade for security and aesthetic needs
- Convenient cable access with removable sides, rear-kick panel and cut-out top sections
- Lockable plexiglass or metal doors are easily reversible
- Ships partially assembled in one carton to minimize shipping and handling costs



800-834-4969 in US & Canada • www.chatsworth.com

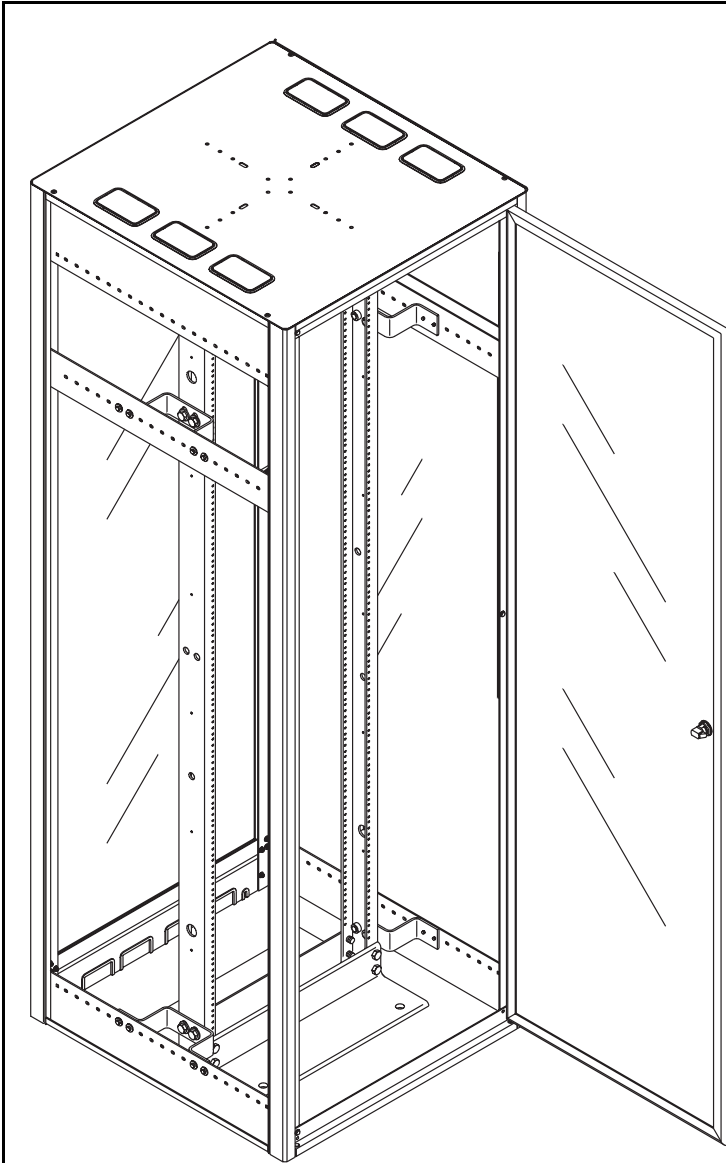


CHATSWORTH PRODUCTS, INC.

©2002 Chatsworth Products, Inc. 5/02/GT

Product Information Sheet

SINGLE RACK ENCLOSURES



Enclosure Style	
110	For Rack - Plexiglass Doors on Enclosure

Rack Width	
38	19"
48	23"
49	25"

Color	
2	Computer White
7	Black

Rack Height	
06	Six Foot
07	Seven Foot
96	6' Without Side Panels
97	7' Without Side Panels

110 XX X XX

Enclosure Style	
114	Includes Rack-Plexiglass Enclosure Doors

Description	
73	With 3' x 19" Rack
74	With 3' x 23" Rack

Color	
2	Computer White
7	Black

Rack Height	
03	Three Foot
93	3' Without Side Panels

114 XX X XX

Enclosure Style	
11558	For 19" Rack - Metal Enclosure Doors

Color	
2	Computer White
7	Black

Rack Height	
06	Six Foot
07	Seven Foot
96	6' Without Side Panels
97	7' Without Side Panels

11558 X XX

800-834-4969 in US & Canada • www.chatsworth.com



CHATSWORTH PRODUCTS, INC.

©2002 Chatsworth Products, Inc.