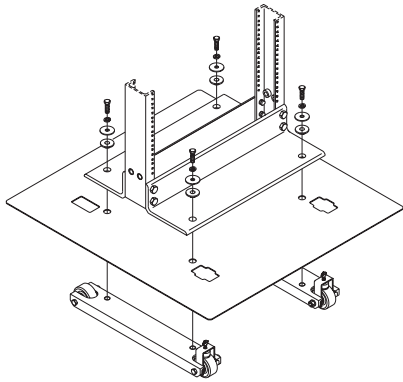
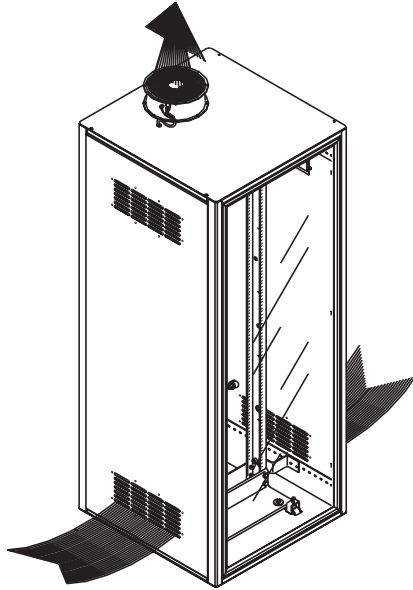


Product Information Sheet

SINGLE RACK ENCLOSURE COOLING PRODUCTS



Part Number	Description/Color
10" Axial Fan & Cover Kit	
12220-219	For 19" Rack Enclosure, 28.5"W x 30"D, 115V, Computer White
12220-719	For 19" Rack Enclosure, 28.5"W x 30"D, 115V, Black
12220-223	For 23"/25" Rack Enclosure, 32.5"W x 30"D, 115V, Computer White
12220-723	For 23"/25" Rack Enclosure, 32.5"W x 30"D, 115V, Black
12220-201	For 19" Rack Enclosure, 28.5"W x 30"D, 230V, Computer White
12220-701	For 19" Rack Enclosure, 28.5"W x 30"D, 230V, Black
12220-202	For 23"/25" Rack Enclosure, 32.5"W x 30"D, 230V, Computer White
12220-702	For 23"/25" Rack Enclosure, 32.5"W x 30"D, 230V, Black
Louver Shut-Off Panel	
12219-201	Computer White
12219-701	Black
Enclosure Bottom Panel	
12297-219	For 19" Rack Enclosure, 28.5"W x 30"D, Computer White
12297-719	For 19" Rack Enclosure, 28.5"W x 30"D, Black
12297-223	For 23" Rack Enclosure, 32.5"W x 30"D, Computer White
12297-723	For 23" Rack Enclosure, 32.5"W x 30"D, Black

800-834-4969 in US & Canada • www.chatsworth.com



CHATSWORTH PRODUCTS, INC.

©2002 Chatsworth Products, Inc. 5/02/GT