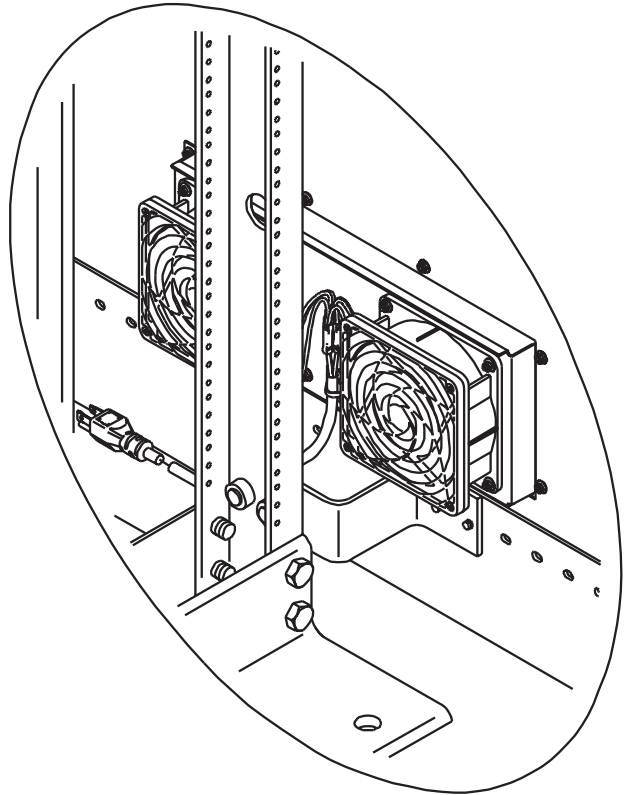


Product Information Sheet

STANDARD SIDE-MOUNTED ENCLOSURE FAN KIT

Operating Voltage: 115 VAC
Airflow (Nominal): 100 CFM
Noise Level (1 Meter Max): 42 dBA
Power Consumption (Nominal): 13.4 Watts
Operating Current (Nominal): .19 AMP
Operating Frequency (Nominal): 60 Hz
Cord Length 68"

Air is drawn in through the louvers at the bottom of the enclosure and is forced out through the top louvers. Fans pressurize enclosure, forcing warmer air out top vents.



Fan and Filter Assembly

11755-001	For Rack Enclosures, 400 CFM
11222-001	Replacement Filter Kit

800-834-4969 in US & Canada • www.chatsworth.com



CHATSWORTH PRODUCTS, INC.

©2002 Chatsworth Products, Inc. 5/02/GT